

Features

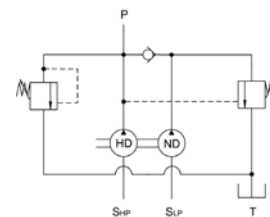
- Compact design
- With integrated low-pressure switch-off valve and high-pressure pressure limiting valve
- Direct installation of motor without bell housing and coupling

Combination Pumps	Type SKP
LP 100 bar up to 16,7 cm ³ /rev	HP 700 bar up to 2,7cm ³ /rev



Applications

For applications that require high flow rates in the low-pressure area and low flow rates in the high-pressure area. Therefore optimum utilisation of installed power.



Technical data

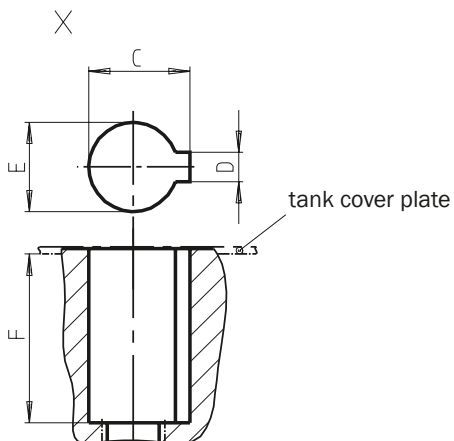
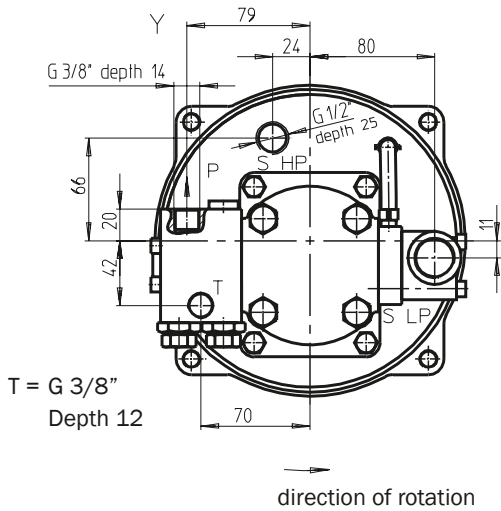
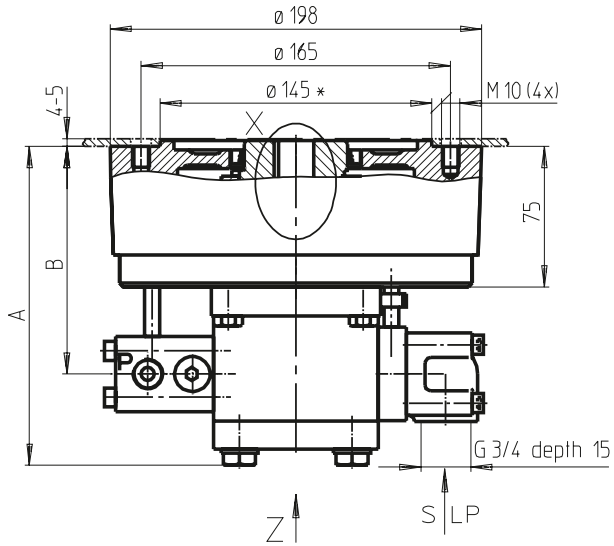
Hydraulic fluid	mineral oil according to DIN 51524 (other fluids on request)
Fluid temperature range	NBR: -30 to 80 °C FPM: -20 to 80 °C
Ambient temperature range	-30 to 50 °C
Viscosity range	12 to 220 mm ² /s (optimal: 15- 35)
Filtration	according to NAS 1638, class 8 or ISO 4406 16/14
Material	eccentric shaft: steel pump housing: cast aluminium
Weight	see dimension drawings
Installation position	vertical
Speed range	500-2000 rpm
Direction of rotation	only clockwise direction

Combination Pumps	Type SKP
LP 100 bar up to 16,7 cm ³ /rev	HP 700 bar up to 2,7cm ³ /rev

Dimension drawing 1

Weight 8,3 kg

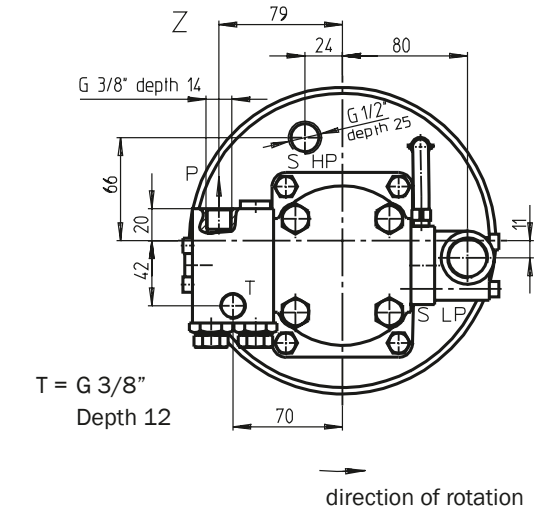
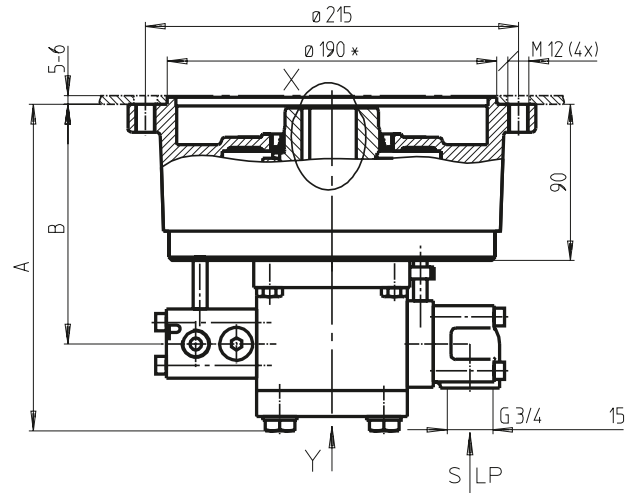
* hole diameter in tank cover plate 147 mm



Dimension drawing 2

Weight 10,2 kg

* hole diameter in tank cover plate 192 mm



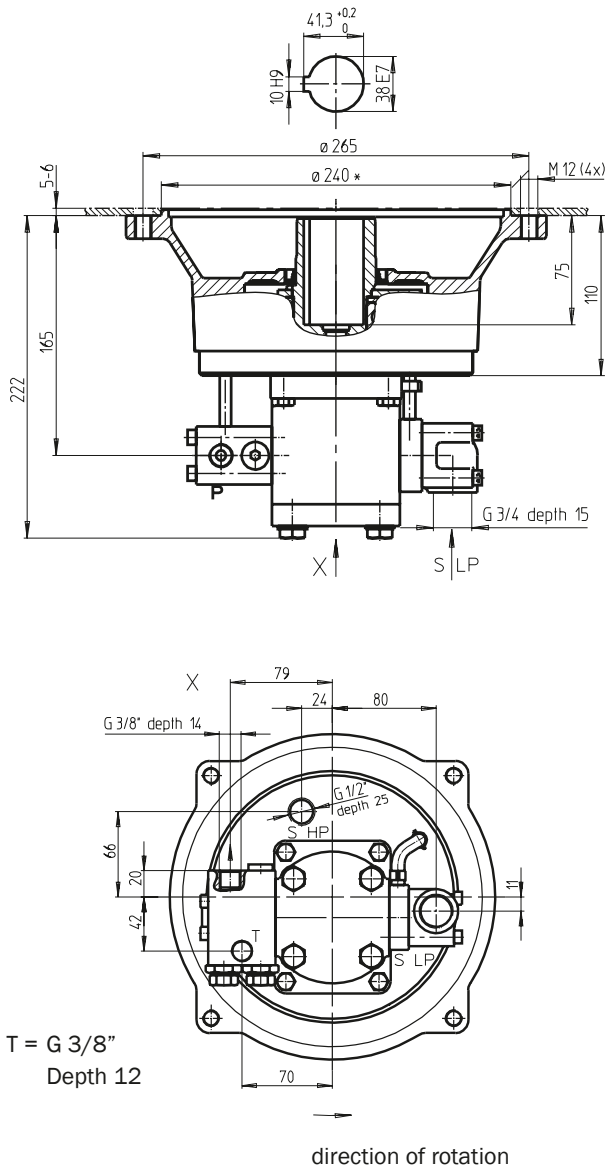
Pump type	A	B	C +0,1 / 0	D	E	F
SKP01-0,5-...	170	121	21,8	6H9	19F7	38
SKP01-0,8-...	173	123	27,3	8H9	24F7	48
SKP11-1,5-...	188	138	31,3	8H9	28F7	57
SKP11-2,2-...	202	145	31,3	8H9	28F7	57

Combination Pumps	Type SKP
LP 100 bar up to 16,7 cm ³ /rev	HP 700 bar up to 2,7cm ³ /rev

Dimension drawing 3

Weight 11,5 kg

* hole diameter in tank cover plate 242 mm



Combination Pumps		Type SKP								Motor installation dimensions to DIN 42677	Dimension drawing							
LP 100 bar up to 16,7 cm ³ /rev		HP 700 bar up to 2,7cm ³ /rev																
Ordering code: Example	SKP	01	-	0,5	-	700	-	4,5	-	70	-	P	-	A		00	BG 80	1
	SKP	01	-	0,8	-	700	-	6,8	-	100	-	P	-	A		00	BG 90 S	1
	SKP	11	-	1,5	-	700	-	7,5	-	100	-	P	-	A		00	BG 100 L	2
	SKP	11	-	2,2	-	700	-	16,2	-	100	-	P	-	A		00	BG 112 M	2
	SKP	11	-	2,7	-	700	-	16,7	-	100	-	P	-	A		00	BG 132 S	3
Combination pump																	Special design 01 ... 99 (00 for standard)	
Size																	Part index Please leave it blank (small letters a-z; different letters do not effect interchangeability)	
Displacement HP [cm ³ /rev]																	Design revision (AS) see dimension drawings (capital letters A-Z; identical letters equal same connecting dimensions)	
Operating pressure max. HP [bar]																		
Displacement LP [cm ³ /rev] (LP + HP)																		
Operating pressure max. LP [bar]																		
Seals	P (NBR)																	

Example with flanged electric motor



As we are constantly improving our products, we keep us the right to change the technical specifications without prior notice.

Bieri Hydraulik AG
Könizstrasse 274
CH-3097 Liebefeld/Switzerland
Tel. +41 31 970 09 09
Fax +41 31 970 09 10
sales@bierihydraulics.com

BIERI
SWISS HYDRAULICS